

ANVIL GUIDE

May 11, 1965

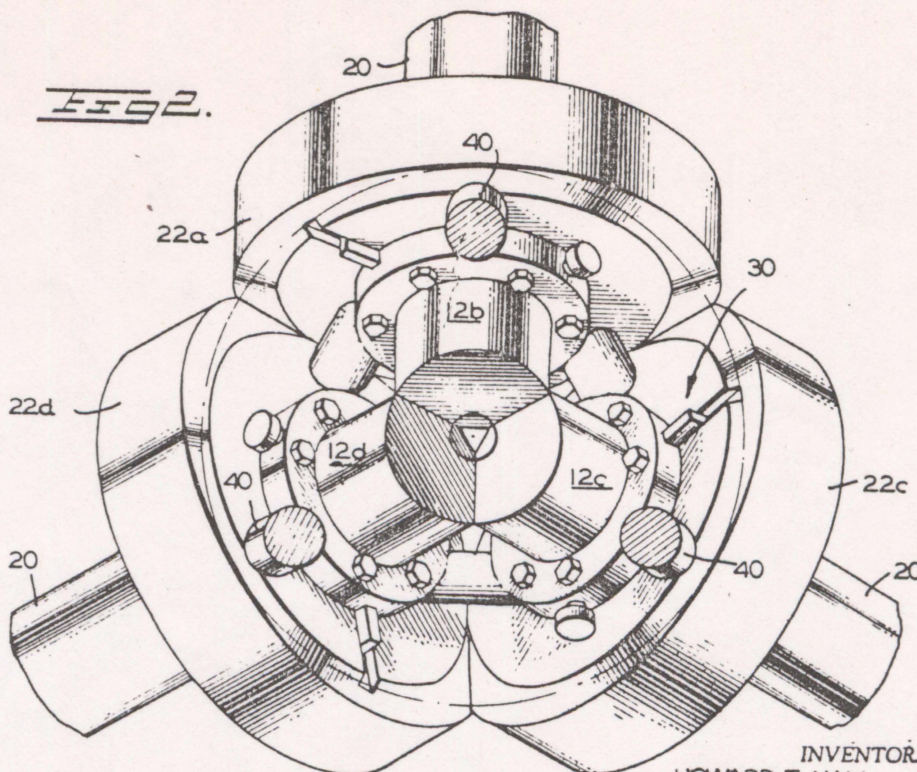
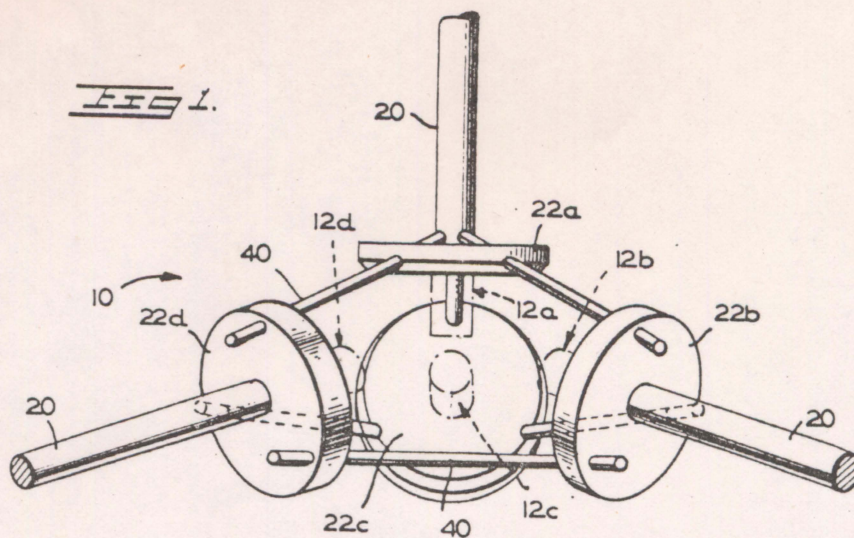
H. T. HALL

3,182,353

GUIDE MEANS FOR HIGH PRESSURE PRESS

Filed Jan. 29, 1963

5 Sheets-Sheet 1



INVENTOR
HOWARD T. HALL

BY *Stowell & Stowell*

ATTORNEYS

May 11, 1965

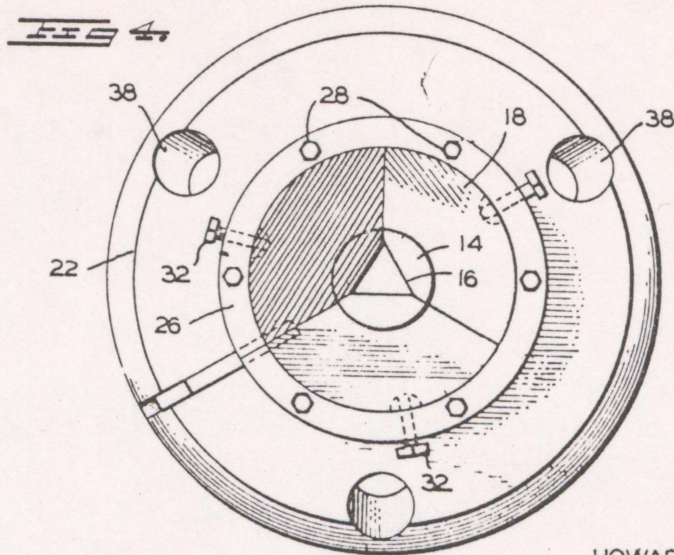
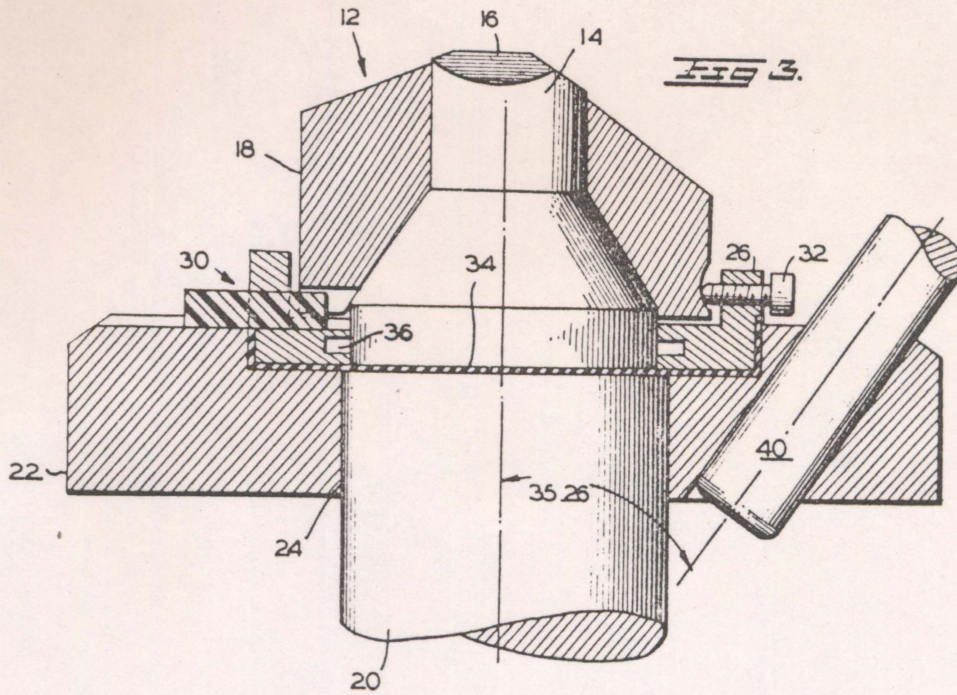
H. T. HALL

3,182,353

GUIDE MEANS FOR HIGH PRESSURE PRESS

Filed Jan. 29, 1963

5 Sheets-Sheet 2



INVENTOR
HOWARD T. HALL

BY *Stowell & Stowell*

ATTORNEY

May 11, 1965

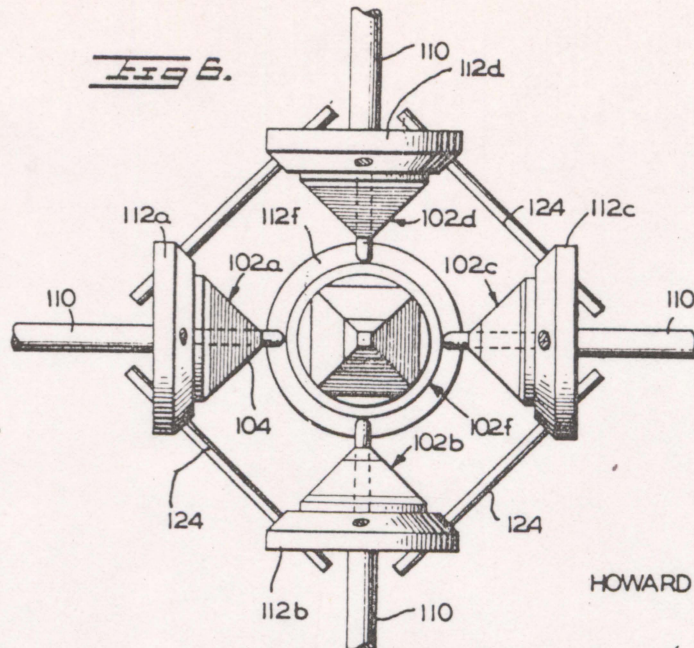
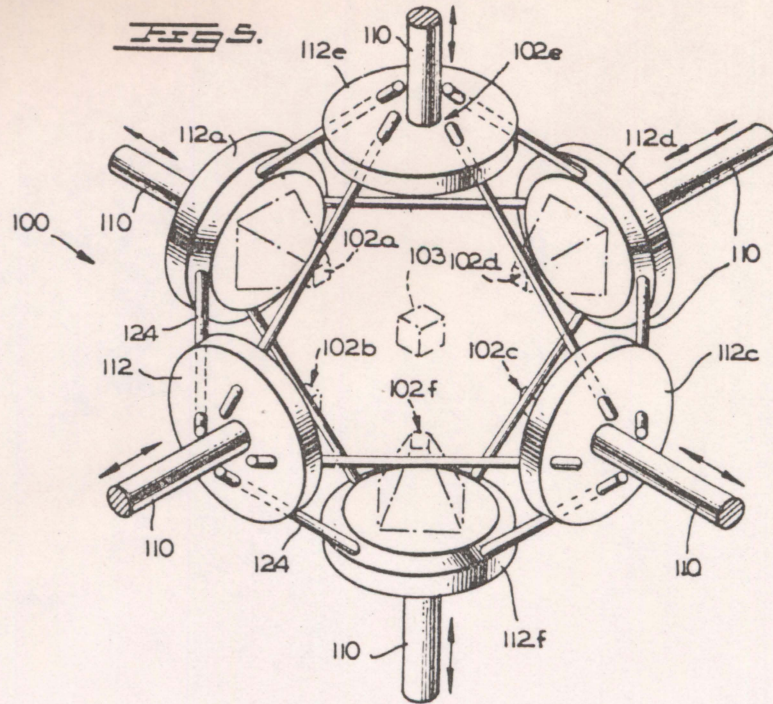
H. T. HALL

3,182,353

GUIDE MEANS FOR HIGH PRESSURE PRESS

Filed Jan. 29, 1963

5 Sheets-Sheet 3



INVENTOR
HOWARD T. HALL

BY *Stowell & Stowell*
ATTORNEY

May 11, 1965

H. T. HALL

3,182,353

GUIDE MEANS FOR HIGH PRESSURE PRESS

Filed Jan. 29, 1963

5 Sheets-Sheet 4

Fig. 7.

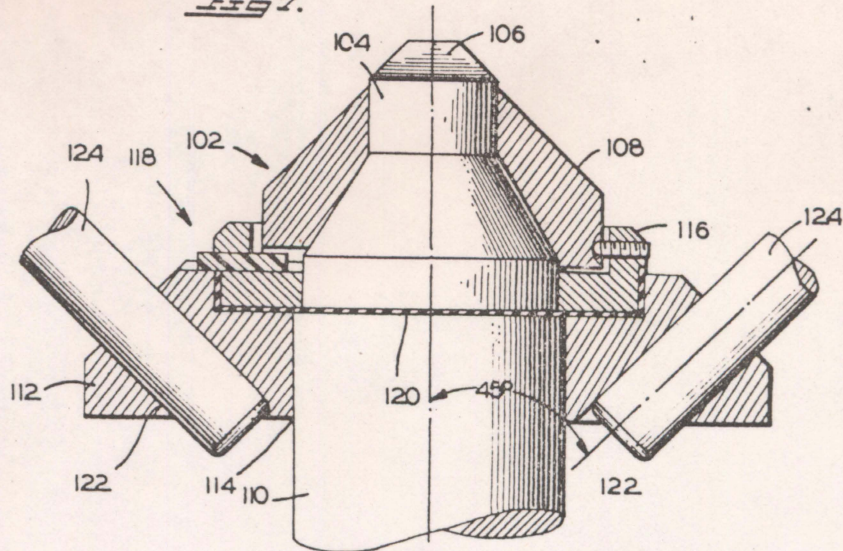
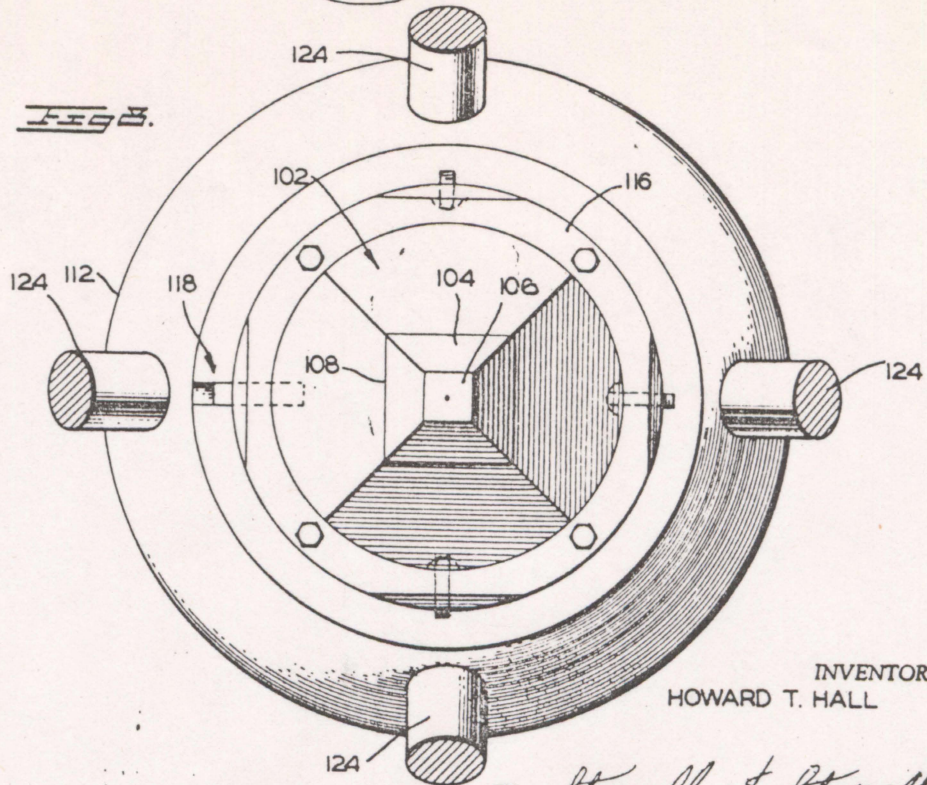


Fig. 8.



INVENTOR
HOWARD T. HALL

BY *Stowell & Stowell*
ATTORNEYS

May 11, 1965

H. T. HALL

3,182,353

GUIDE MEANS FOR HIGH PRESSURE PRESS

Filed Jan. 29, 1963

5 Sheets-Sheet 5

Fig. 9.

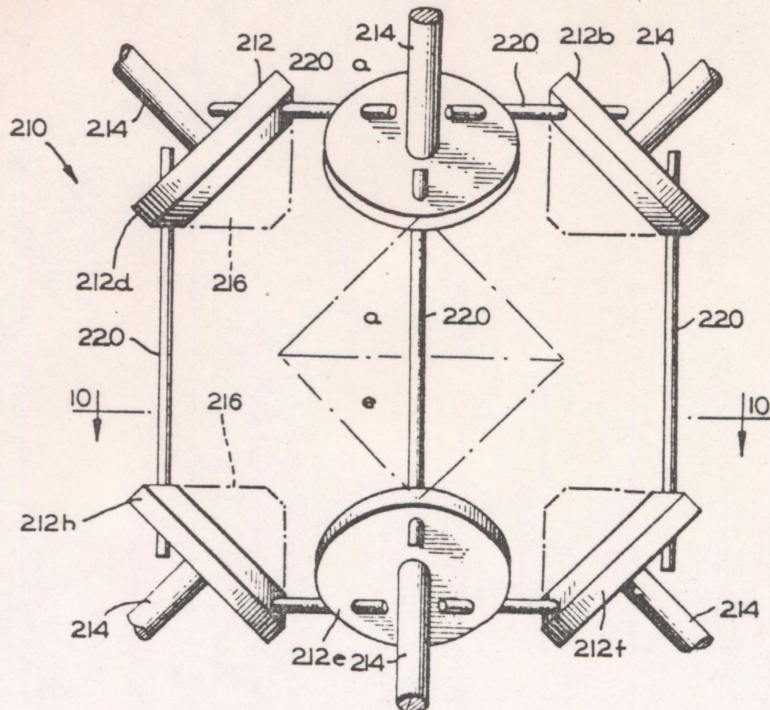
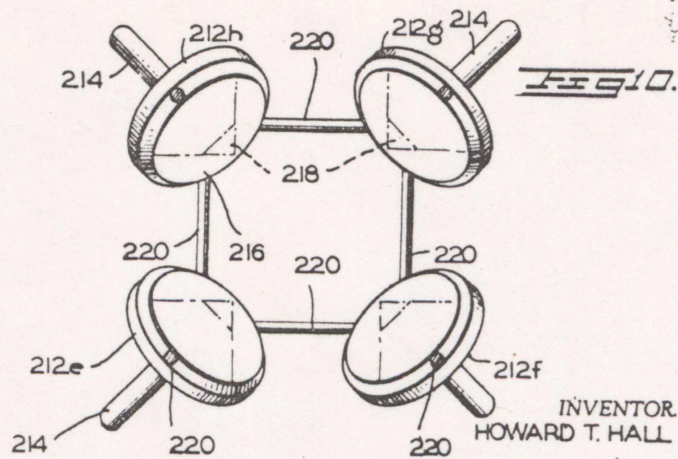
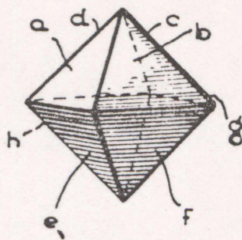


Fig. 11.



INVENTOR
HOWARD T. HALL
BY *Stowell & Stowell*
ATTORNEYS